

UT-30

DATI TECNICI

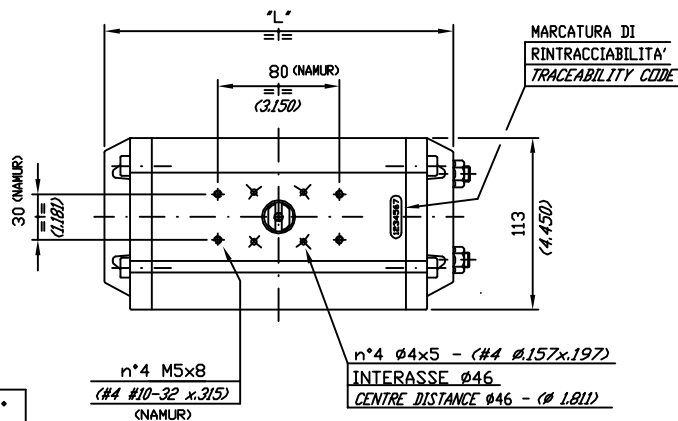
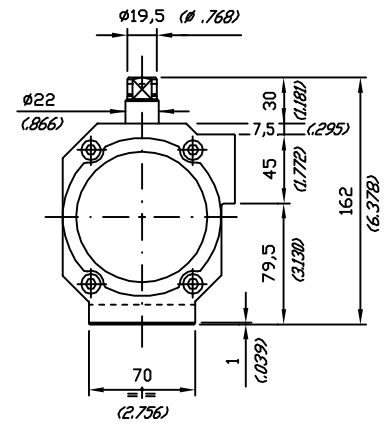
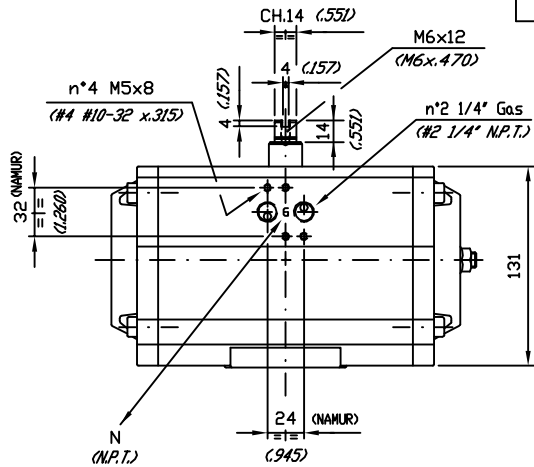
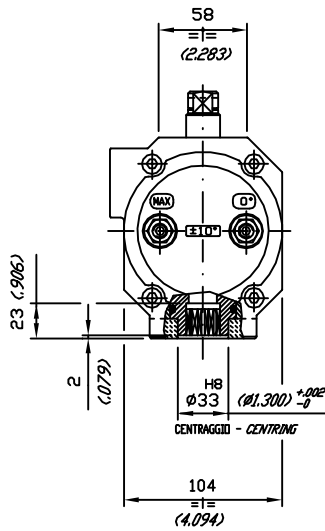
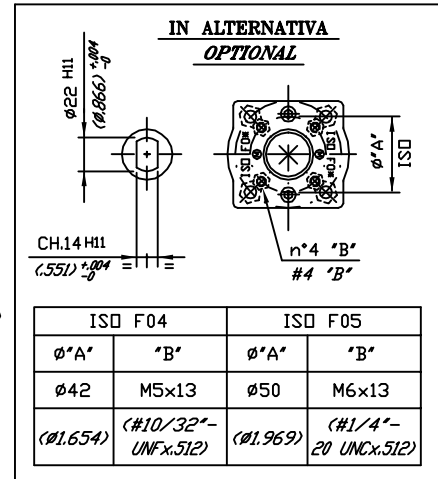
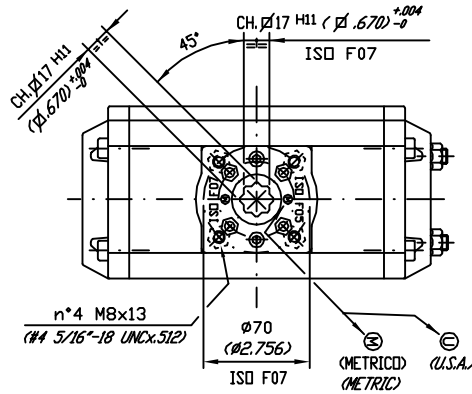


UT-31

TECHNICAL DATA

CORRISPONDENTE ALLE NORME
ISO 5211 - DIN 3337
E NAMUR VDI / VDE 3845

DIMENSIONS TO
ISO 5211 - DIN 3337
AND NAMUR VDI / VDE 3845



| | 90° | 120° | 135° | 150° | 180° |
|-----|----------------|-----------------|-----------------|-----------------|-----------------|
| "L" | 230 (9.055) | 272 (10.709) | 280 (11.024) | 301 (11.850) | 331 (13.031) |

DIMENSIONI IN mm.
DIMENSIONS IN mm. (INCHES)



Emme Technology Srl Via Di Vittorio 307/27 - 20099 Sesto S. Giovanni (MI) - ITALY